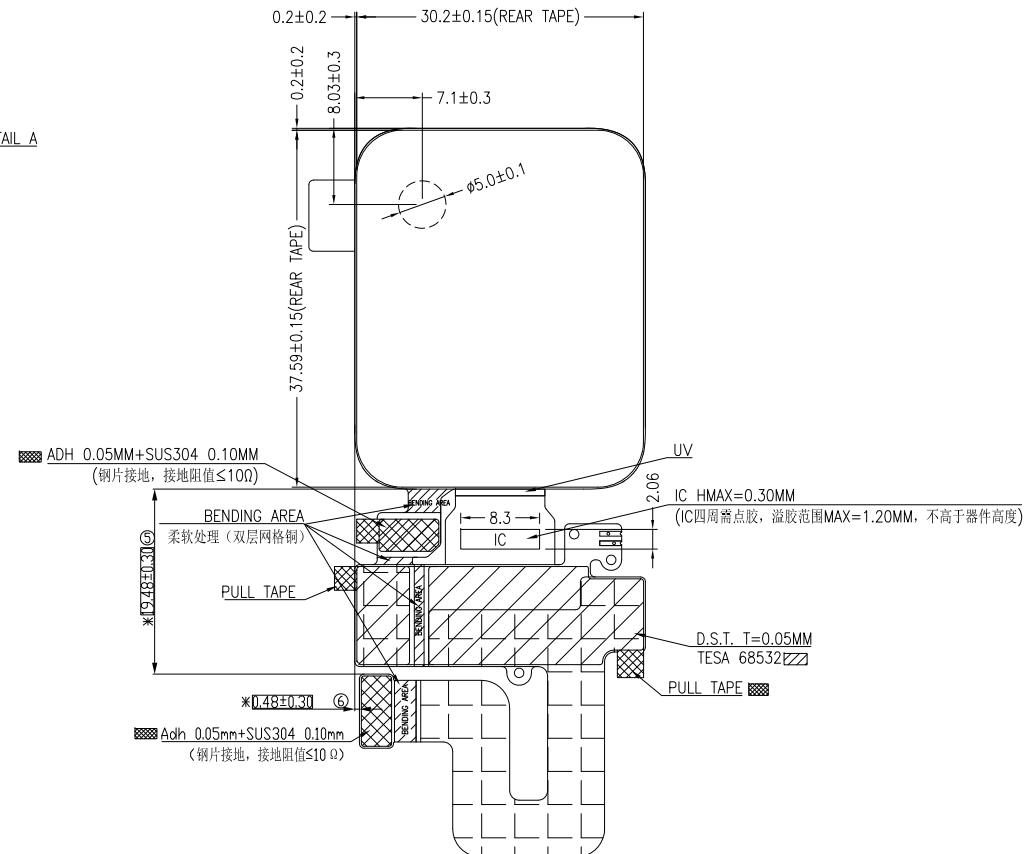
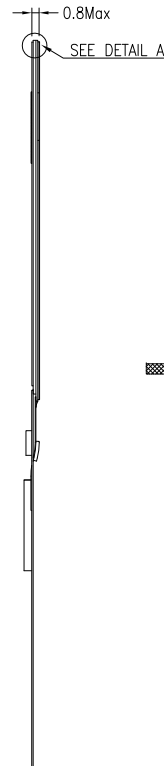
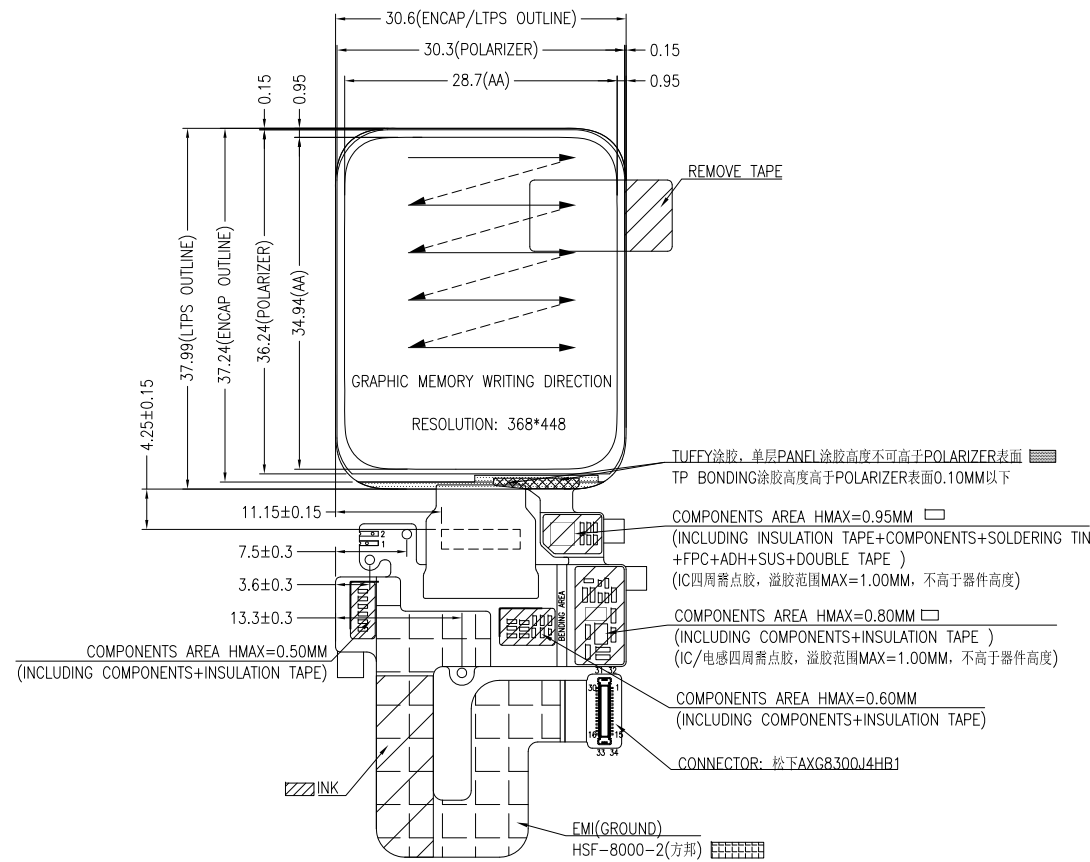
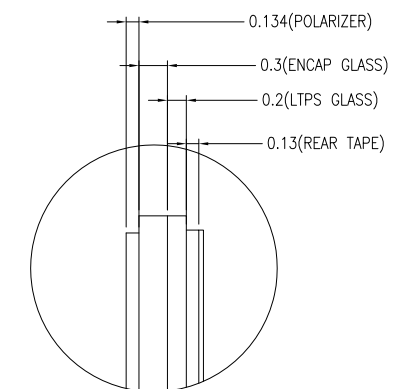
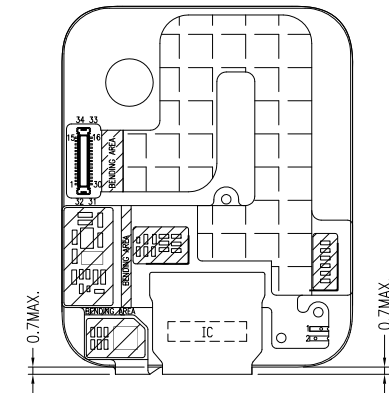


REMARK:
NO MECHANICAL HOUSING TO HOLD THE TFT AND THE TOUCH PANEL ON THIS PRODUCT,
SO THE END UNIT'S MECHANICAL DESIGN MUST INCLUDE A HOUSING FOR PREVENTING
THE SEPARATION OF THE TFT AND THE TOUCH PANEL.



BENDING DIAGRAM FOR REFERENCE



DETAIL A
(SCALE 10:1)

NOTES:

1. DISPLAY TYPE: 1.78" AMOLED (ON CELL)
2. OPERATING VOLTAGE: VBAT=3.7V (TYP.)
3. VIEWING DIRECTION: FULL VIEWING ANGLE
4. LCD DRIVER IC: RM69090
5. CTP DRIVER IC: TMA525C
6. OPERATING TEMP.: -20°C ~ 70°C
7. STORAGE TEMP.: -40°C ~ 80°C
8. INTERFACE: MIPI + SPI
9. SURFACE LUMINANCE: 350CD/M² (TYP.)
10. THE SINGLE LAYER AREA OF FPC IS BENDABLE AND THE BENDING RADIUS MUST BE NOT LESS THAN 1.5MM
11. GENERAL TOLERANCE: ±0.2MM
12. ROHS COMPLIANT

PIN DESCRIPTION FOR CN1	
PIN	SYMBOL
1	VCI_EN
2	GND
3	TP_I2C_SDA
4	TP_I2C_SCL
5	TP_SWDIO(NC)
6	TP_RST
7	TP_INT
8	TP_VDD
9	GND
10	LCD_RST
11	LCD_TE
12	GND
13	VI018
14	VI018
15	VPP(NC)
16	NFC_ANT2
17	NFC_ANT1
18	GND
19	SPI_SDO
20	SPI_SDI
21	SPI_DCX
22	SPI_CLK
23	SPI_CS
24	GND
25	MIPI_CLKP
26	MIPI-CLKN
27	GND
28	MIPI_DOP
29	MIPI_DON
30	GND
31	VPH_PWR
32	VPH_PWR
33	GND
34	GND

		MULTI-INNO TECHNOLOGY CO., LTD.	
		DRAWN BY: CAROL 2020.05.12 CHECKED BY:	 SCALE : 1/1
APPROVED BY:	UNIT: mm	DESCRIPTION: OLED + CTP MODULE	
VERSION NO: 01	SHEET NO.: 1/1	VER. 01 REVISED DESCRIPTION	REVISOR CAROL DATE 2020.05.12

01	FIRST ISSUE	CAROL	2020.05.12
VER.	REVISED DESCRIPTION	REVISOR	DATE